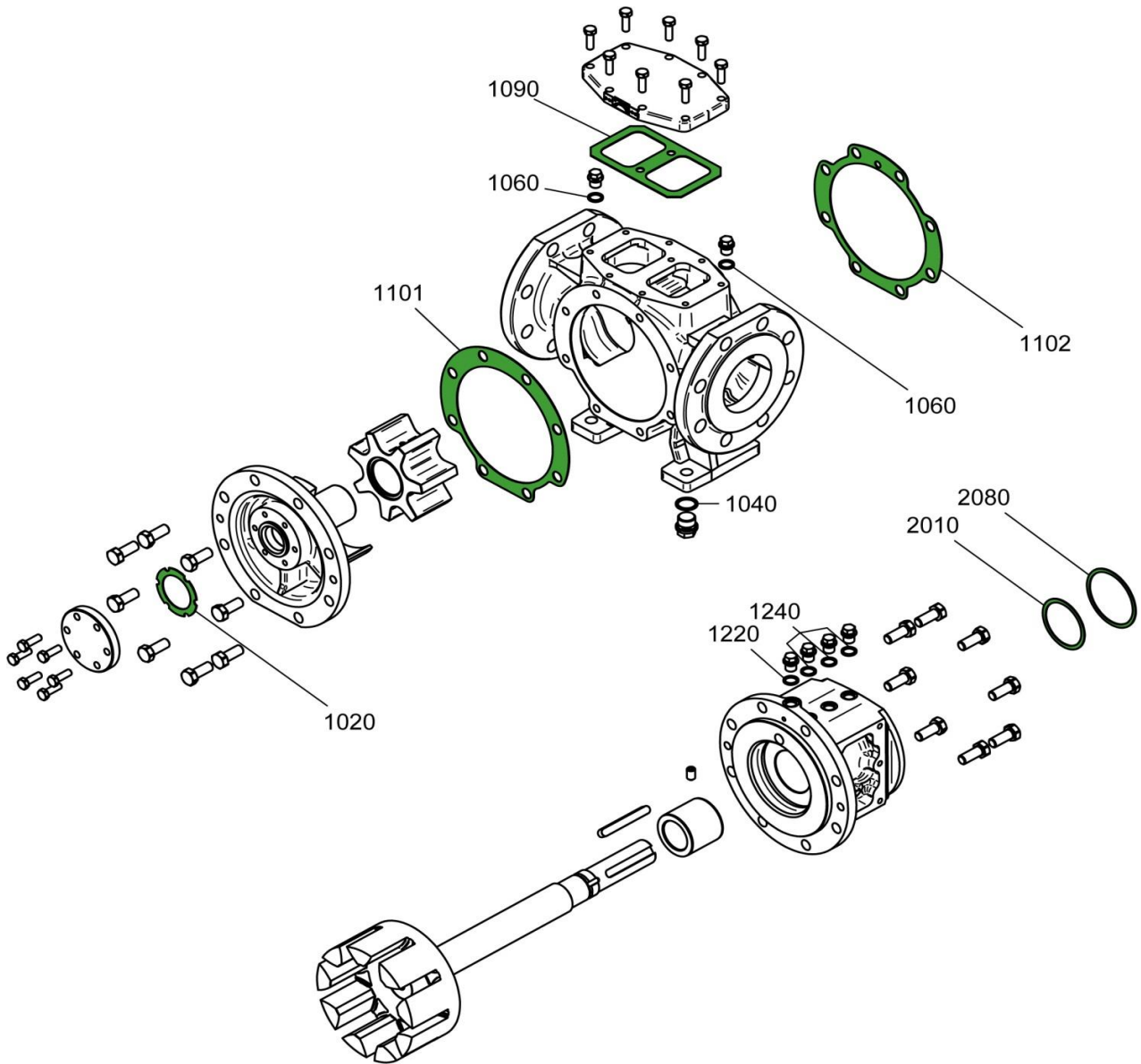


Hydraulic kit TG GM/H 15-50 FD to 360-150 FD



Pos.	Description	Quantity			
		GM 15-50 FD to GM 23-65 FD	GM 58-80 FD to GM 360-150 FD	H 15-50 FD to H 23-65 FD	H 58-80 FD to H 360-150 FD
1040	SEALING RING	1	1	1	1
1060	SEALING RING	2	2	2	2
1220	SEALING RING	1	1	1	1
1240	SEALING RING	2	3	2	3
1020	GASKET	-	-	1	1
1090	GASKET	1	1	1	1
1101	GASKET	1	1	1	1
1102	GASKET	1	1	1	1
2010	GASKET	1 (*)	1 (*)	1 (*)	1 (*)
2080	GASKET	1	1	1	1

*Remark position 2010: only needed in PR version (Reverted packing)