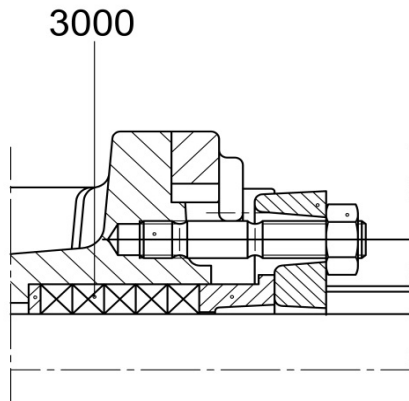
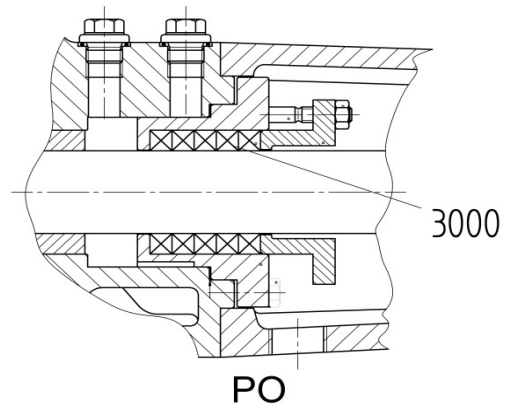


TopGear GP/GM/H Packing Ring Kits

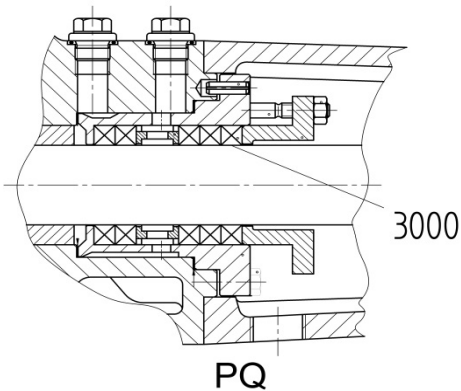


TG GP 2-25 to 360-150

*Remark position 3000 for GP 6-40, quantity 4 instead of 5

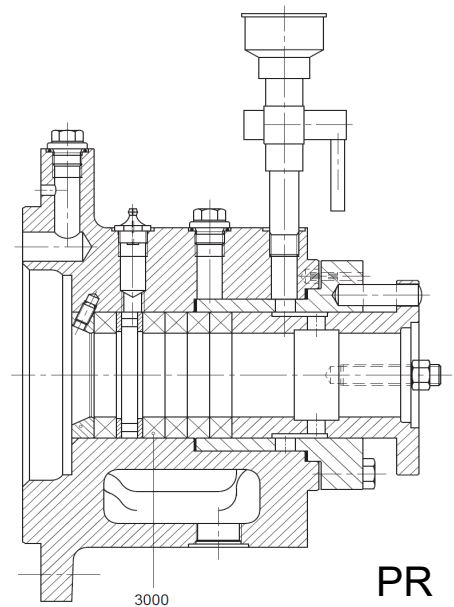


TG GM/H 6-40 to 360-150

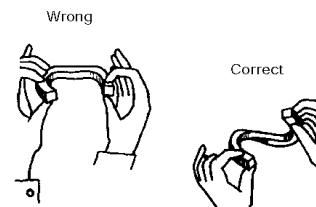
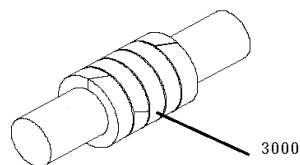


TG GM 2-25 to 360-150

TG H 2-32 to 360-150



TG GM/H 6-40 to 360-150



Bending and twisting packing rings

Pos.	Description	Quantity
		GP/GM/H
3000	PACKING RING	5 (*)

*Remark position 3000 for GP 6-40, quantity 4 instead of 5