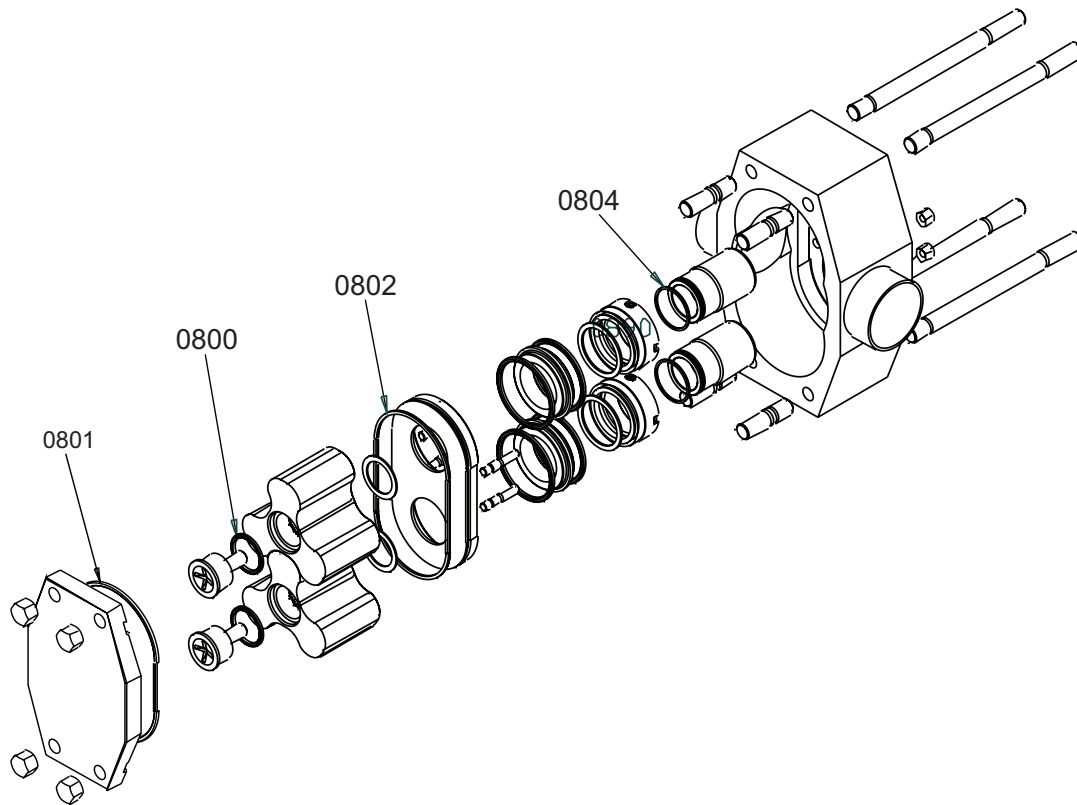


### 4.1.3 O-ring Kit for hydraulic part



	Material number			
	TL1	TL2	TL3	TL4
O-ring kit FPM-FDA	3.01819.18	3.01822.18	3.01825.18	3.01828.18
O-ring kit EPDM-FDA	3.01819.16	3.01822.16	3.01825.16	3.01828.16
O-ring kit PTFE	3.01819.13	3.01822.13	3.01825.13	3.01828.13
*O-ring kit KALREZ®	3.01819.15	3.01822.15	3.01825.15	3.01828.15

Pos.	Description	Quantity
0800	O-ring	2
0801	O-ring	1
0802	O-ring	1
0804	O-ring	2

\* Kalrez is a registered trademark of DuPont Performance Elastomers