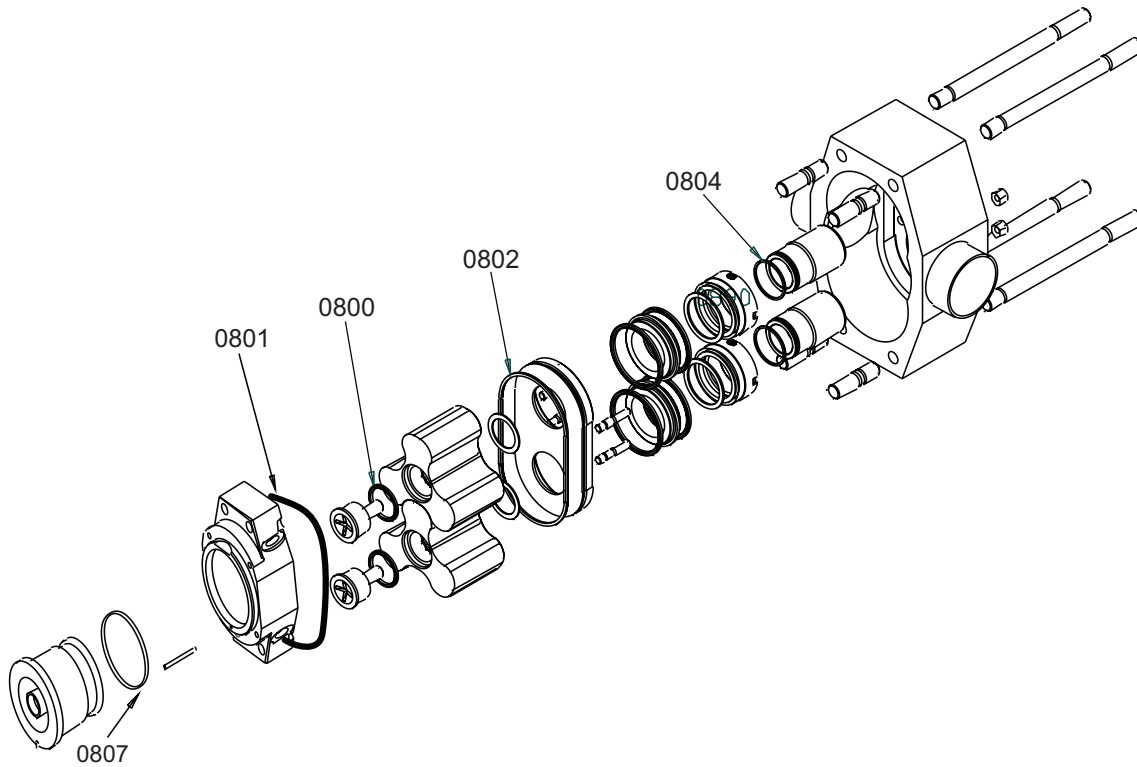


4.1.4 O-ring kit for hydraulic part with safety relief valve



	Material number							
	TL1/0039	TL1/0100 TL1/0139	TL2/0074	TL2/0234 TL2/0301	TL3/0234	TL3/0677 TL3/0953	TL4/0535	TL4/2316 TL4/3497
O-ring kit FPM-FDA	3.01819.28	3.01819.38	3.01822.28	3.01822.38	3.01825.28	3.01825.38	3.01828.28	3.01828.38
O-ring kit EPDM-FDA	3.01819.26	3.01819.36	3.01822.26	3.01822.36	3.01825.26	3.01825.36	3.01828.26	3.01828.36
O-ring kit PTFE	3.01819.23	3.01819.33	3.01822.23	3.01822.33	3.01825.23	3.01825.33	3.01828.23	3.01828.33
* O-ring kit KALREZ®	3.01819.25	3.01819.35	3.01822.25	3.01822.35	3.01825.25	3.01825.35	3.01828.25	3.01828.35

* Kalrez is a registered trademark of DuPont Performance Elastomers

Pos.	Description	Quantity
0800	O-ring	2
0801	O-ring	1
0802	O-ring	1
0804	O-ring	2
0807*)	O-ring	1

*) Pos. 0807 in O-ring kit PTFE is of Chemraz