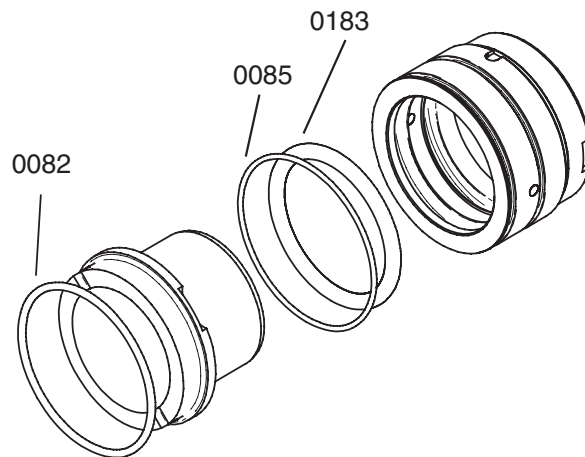


#### 4.2.6 O-ring kits for single O-ring seal



	Material number			
	TW1	TW2	TW3	TW4
* O-ring kit KALREZ®	3.01899.14	3.01900.14	3.01901.14	3.01902.14
O-ring kit FPM-FDA	3.01899.18	3.01900.18	3.01901.18	3.01902.18
O-ring kit EPDM-FDA	3.01899.15	3.01900.15	3.01901.15	3.01902.15

\* Kalrez is a registered trademark of DuPont Performance Elastomers

Pos.	Description	Quantity
0082	O-ring	2
0085	O-ring	2
0183	O-ring	2