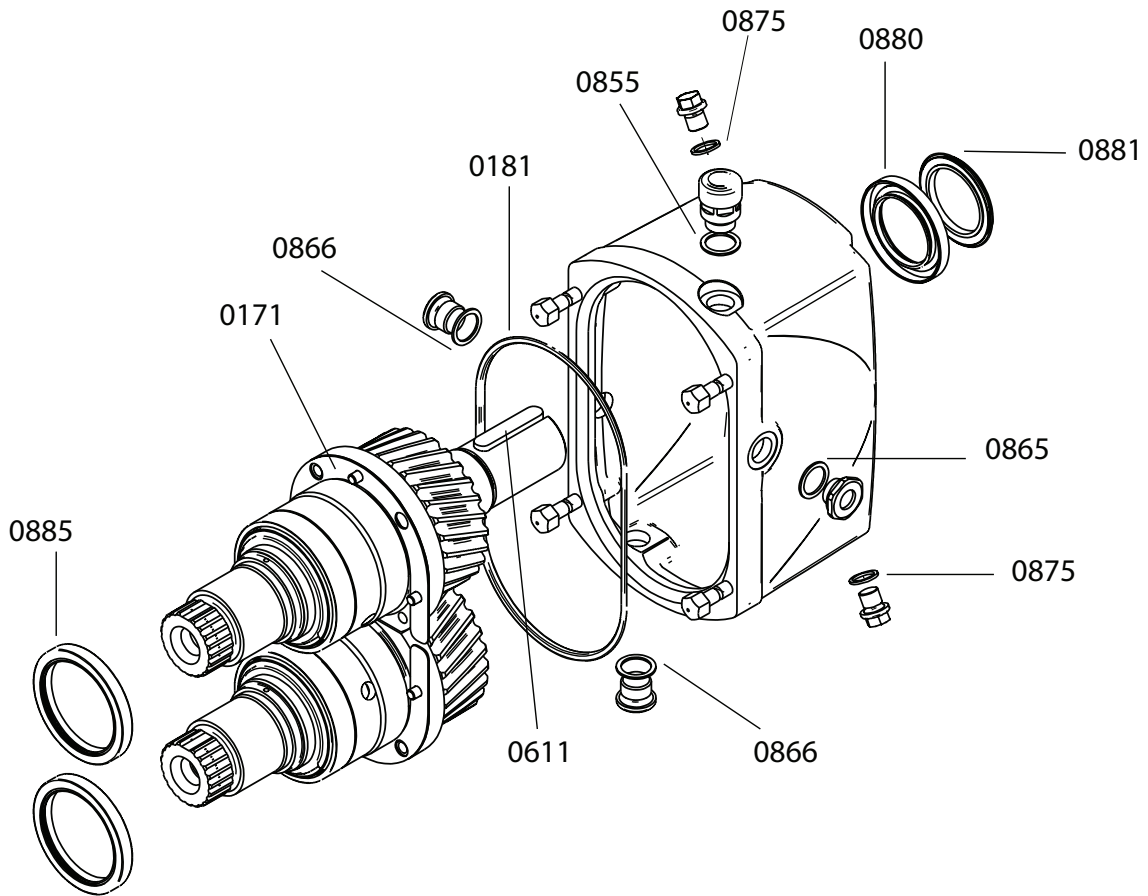


4.2.8 Service kit for drive assembly



	Material number			
	TW1	TW2	TW3	TW4
	3.01894.11	3.01895.11	3.01896.11	3.01897.11

Pos.	Description	Quantity
0171	Shim	2
0181	O-ring	1
0611	Shim	1
0855	Sealing ring	1
0865	Sealing ring	1
0866	Sealing ring	2
0875	Sealing ring	2
0880	Lip seal	1
0881	V-seal	1
0885	Lip seal	2