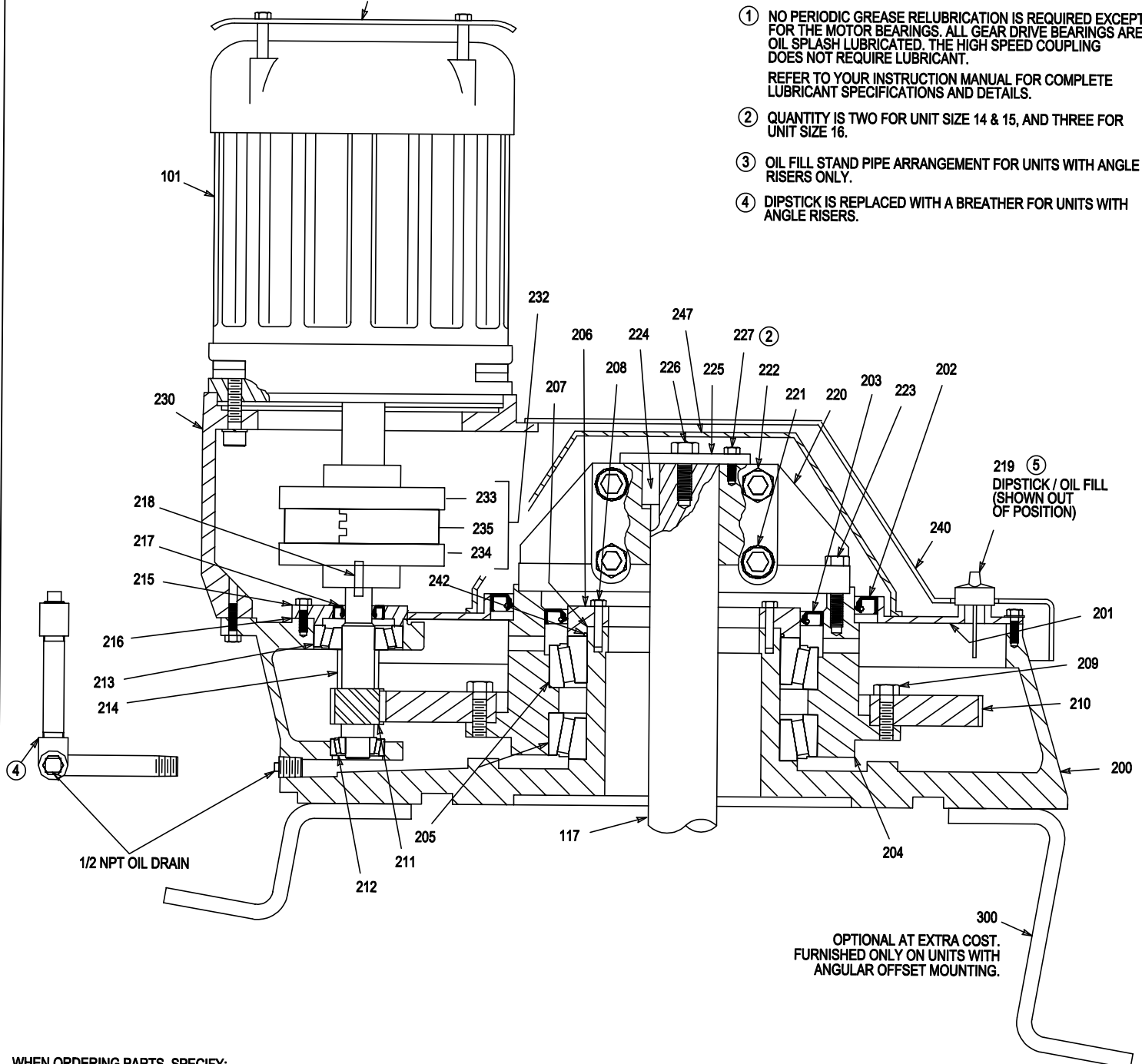


DRIP COVER FURNISHED WITH EXPLOSION PROOF MOTORS ONLY

NOTES:

- ① NO PERIODIC GREASE RELUBRICATION IS REQUIRED EXCEPT FOR THE MOTOR BEARINGS. ALL GEAR DRIVE BEARINGS ARE OIL SPLASH LUBRICATED. THE HIGH SPEED COUPLING DOES NOT REQUIRE LUBRICANT.
REFER TO YOUR INSTRUCTION MANUAL FOR COMPLETE LUBRICANT SPECIFICATIONS AND DETAILS.
- ② QUANTITY IS TWO FOR UNIT SIZE 14 & 15, AND THREE FOR UNIT SIZE 16.
- ③ OIL FILL STAND PIPE ARRANGEMENT FOR UNITS WITH ANGLE RISERS ONLY.
- ④ DIPSTICK IS REPLACED WITH A BREATHER FOR UNITS WITH ANGLE RISERS.



WHEN ORDERING PARTS, SPECIFY:
MODEL & SERIAL NUMBER, ITEM
NUMBER AND DRAWING NUMBER

216	SHIM SET - HIGH SPEED BEARING ADJUSTMENT	300	ANGLE RISER ASSEMBLY
215	HIGH SPEED BEARING RETAINER	247	COUPLING SHIELD
214	SPACER - UNIT SIZE 16 ONLY	242	O-RING
213	HIGH SPEED BEARING - UPPER	240	SAFETY GUARD
212	HIGH SPEED BEARING - LOWER	235	FLEXIBLE ELEMENT - SPLIT
211	HIGH SPEED PINION & SHAFT	234	DRIVEN HUB - PINION SHAFT
210	LOW SPEED GEAR	233	DRIVE HUB - MOTOR SHAFT
209	HEX HEAD CAP SCREW - NYLOK	232	H.S. FLEXIBLE COUPLING ASSEMBLY
208	HEX HEAD CAP SCREW - NYLOK	230	MOTOR PEDESTAL
207	SHIM SET - LOW SPEED BEARING ADJUSTMENT (10 PER SET)	227	HEX HEAD CAP SCREW - SEE NOTE 2
206	LOW SPEED BEARING RETAINER	226	HEX HEAD CAP SCREW (1)
205	LOW SPEED BEARING (2)	225	THRUST PLATE
204	LOW SPEED GEAR HUB	224	KEY - IMPELLER SHAFT
203	OIL SEAL - INNER	223	HEX HEAD CAP SCREW - NYLOK (8)
202	OIL SEAL - OUTER	222	HEX NUT (4)
201	DRIVE COVER	221	SOCKET HEAD CAP SCREW (4)
200	GEAR DRIVE HOUSING	220	LOW SPEED COUPLING - SPLIT
117	IMPELLER SHAFT	219	DIPSTICK/BREATHER - SEE NOTE 5
101	MOTOR	218	KEY - PINION SHAFT
		217	OIL SEAL - HIGH SPEED
ITEM	PART NAME	ITEM	PART NAME

ALL EQUIPMENT DESIGN AND APPLICATION DATA SHOWN HEREIN AND RELATED KNOW-HOW ARE CONFIDENTIAL AND PROPRIETARY AND REMAIN THE PROPERTY OF SPX CORPORATION. NO USE OR DISCLOSURE THEREOF MAY BE MADE WITHOUT THE WRITTEN PERMISSION OF SPX CORPORATION.

SPX >Lightnin[®]



COPYRIGHT
© 2013 SPX
CORPORATION

ASSEMBLY DRAWING
SERIES 10™
UNIT SIZE 14,15 & 16
OPEN TANK MIXER