

NOTES:

① NO PERIODIC GREASE RELUBRICATION IS REQUIRED EXCEPT FOR THE MOTOR BEARINGS. ALL GEAR DRIVE BEARINGS ARE OIL SPLASH LUBRICATED OR GREASED FOR LIFE. REFER TO YOUR INSTRUCTION MANUAL FOR COMPLETE LUBRICANT SPECIFICATIONS AND DETAILS.

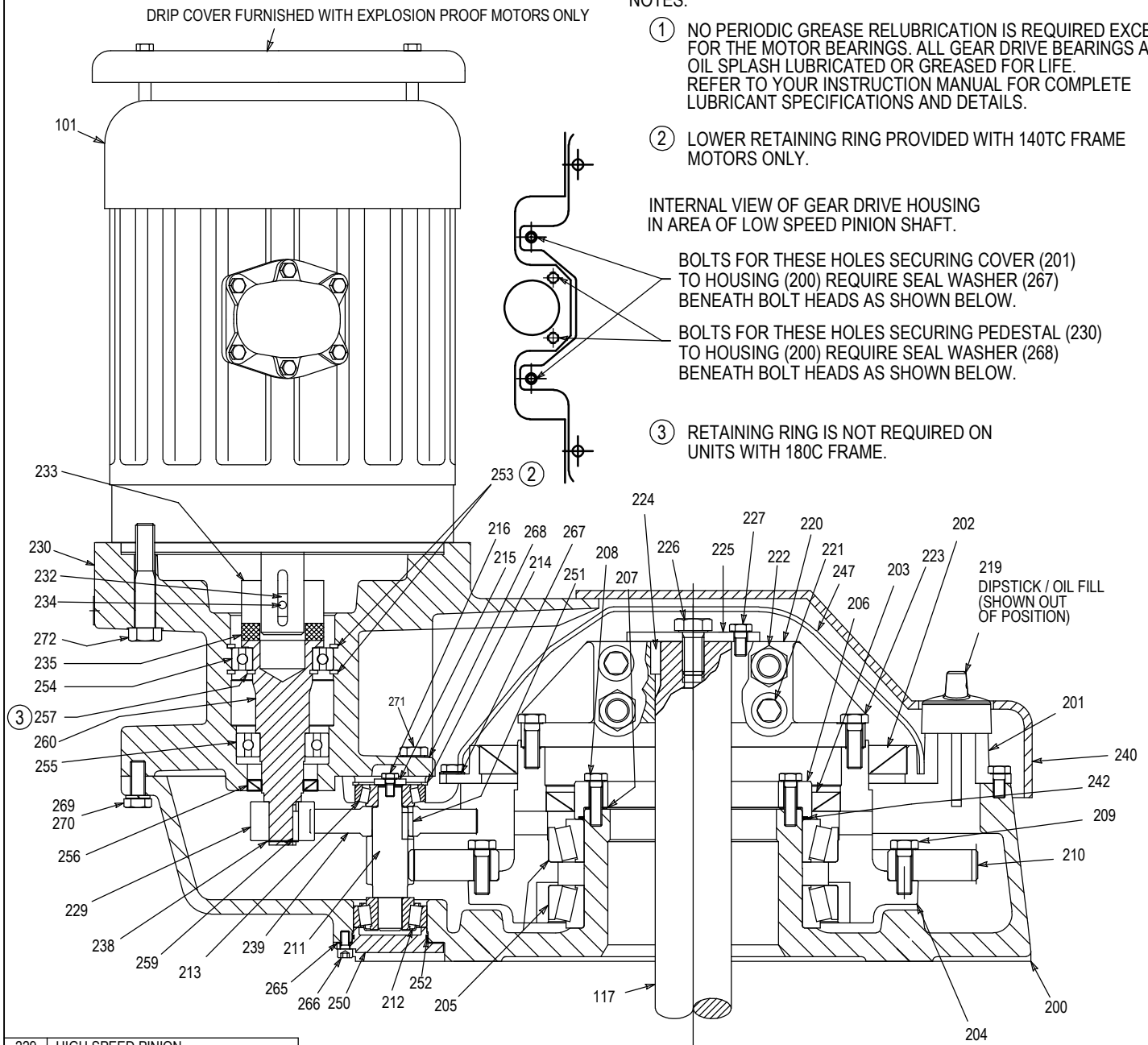
② LOWER RETAINING RING PROVIDED WITH 140TC FRAME MOTORS ONLY.

INTERNAL VIEW OF GEAR DRIVE HOUSING IN AREA OF LOW SPEED PINION SHAFT.

BOLTS FOR THESE HOLES SECURING COVER (201) TO HOUSING (200) REQUIRE SEAL WASHER (267) BENEATH BOLT HEADS AS SHOWN BELOW.

BOLTS FOR THESE HOLES SECURING PEDESTAL (230) TO HOUSING (200) REQUIRE SEAL WASHER (268) BENEATH BOLT HEADS AS SHOWN BELOW.

③ RETAINING RING IS NOT REQUIRED ON UNITS WITH 180C FRAME.



229	HIGH SPEED PINION
227	HEX HEAD CAP SCREW
226	HEX HEAD CAP SCREW (1)
225	THRUST PLATE
224	KEY - IMPELLER SHAFT
223	HEX HEAD CAP SCREW - NYLOK (8)
222	HEX NUT (4)
221	SOCKET HEAD CAP SCREW (4)
220	LOW SPEED COUPLING - SPLIT
219	DIPSTICK
216	HEX HEAD CAP SCREW
215	THRUST WASHER
214	RETAINING RING
213	LOW SPEED BEARING - UPPER
212	LOW SPEED BEARING - LOWER
211	LOW SPEED PINION & SHAFT
210	LOW SPEED GEAR
209	HEX HEAD CAP SCREW - NYLOK
208	HEX HEAD CAP SCREW - NYLOK
207	SHIM SET - LOW SPEED BEARING ADJUSTMENT (10 PER SET)
206	LOW SPEED BEARING RETAINER
205	LOW SPEED BEARING (2)
204	LOW SPEED GEAR HUB
203	OIL SEAL - INNER
202	OIL SEAL - OUTER
201	DRIVE COVER
200	GEAR DRIVE HOUSING
117	IMPELLER SHAFT
101	MOTOR

272	HEX HEAD CAP SCREW (4)
271	HEX HEAD CAP SCREW (2)
270	LOCKWASHER
269	HEX HEAD CAP SCREW (3)
268	SEAL WASHER (2)
267	SEAL WASHER (2)
266	SOCKET HEAD CAP SCREW (4)
265	SHIM SET - LOW SPEED PINION SHAFT ADJUSTMENT (6 PER SET)
260	HIGH SPEED SHAFT
259	KEY - HIGH SPEED PINION
257	RETAINING RING
256	OIL SEAL - HIGH SPEED
255	HIGH SPEED BEARING - LOWER
254	HIGH SPEED BEARING - UPPER
253	RETAINING RING
252	O-RING
251	KEY - LOW SPEED PINION SHAFT
250	BEARING RETAINER - INNER
247	COUPLING SHIELD
242	O-RING
240	SAFETY GUARD
239	INTERMEDIATE GEAR
238	RETAINING RING
235	FLEXIBLE ELEMENT
234	SET SCREW
233	HIGH SPEED SHAFT HUB
232	MOTOR KEY
230	DRIVE PEDESTAL

WHEN ORDERING PARTS, SPECIFY:
MODEL & SERIAL NUMBER, ITEM
NUMBER AND DRAWING NUMBER

ALL EQUIPMENT DESIGN AND APPLICATION DATA SHOWN HEREIN AND RELATED KNOW-HOW ARE CONFIDENTIAL AND PROPRIETARY AND REMAIN THE PROPERTY OF SPX CORPORATION. NO USE OR DISCLOSURE THEREOF MAY BE MADE WITHOUT THE WRITTEN PERMISSION OF SPX CORPORATION.

LIGHTNIN
AN SPX BRAND

ASSEMBLY DRAWING
SERIES 10™ - 50HZ & 60HZ
NEMA FRAME
UNIT SIZE 15
DOUBLE REDUCTION



COPYRIGHT © 2010
SPX CORPORATION